

Halco Slim Area Lights Installation Instructions



Important: READ INSTRUCTIONS CAREFULLY BEFORE INSTALLING. KEEP THESE INSTRUCTIONS FOR FUTURE REFERENCE.

WARNING - Risk of fire or electric shock. Luminaire wiring and electrical parts may be damaged when drilling for installation of led retrofit kit, check for enclosed wiring and components.

To prevent wiring damage or abrasion, do not expose wiring to edges of sheet metal or other sharp objects. Turn off the power when you perform any maintenance.

Verify that supply voltage is correct by comparing it with the luminaire label information. Make all electrical and grounded connections in accordance with the National Electrical Code and any applicable local code requirements.

All wiring connections should be capped with UL approved wire connectors.

CAUTION: RISK OF INJURY

Wear gloves and safety glasses at all times when removing luminaire from carton, installing, servicing or performing maintenance.

Avoid direct eye exposure to the light source while it is on.

Account for small parts and destroy packing material, as these may be hazardous to children.

CAUTION: RISK OF FIRE

Keep combustible and other materials that can burn away from luminaire and lamp/lens. MIN 90°C SUPPLY CONDUCTORS

WARNING - Make certain power is switched OFF before starting installation or attempting any maintenance. Consult an electrician if not qualified to prevent electrical shock.

NOT FOR USE IN DWELLINGS

Suitable for Wet Locations. Operating temperature: -40°C to 50°C. Illustrations are for installation purposes only. It may not be identical to the fixture purchased.

Model Nomenclature:

Where:

AL=Area Light

XXX=Wattage; 100=100W; 150=150W; 200=200W; 240=240W; 300=300W

TT=Optics; T2=Type II; T3=Type III; T4=Type IV; T5=Type V

V=Voltage; U=120-277V; H=347-480V

CC=CCT; 40=4000K; 50=5000K

@@@=@=Included Accessories;

7PRS= 7-PIN Receptacle with Shorting Cap

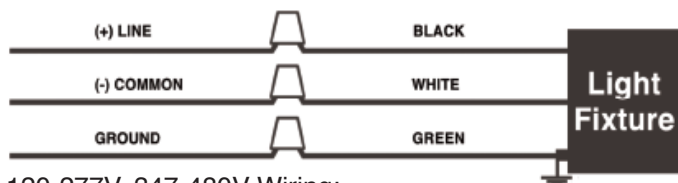
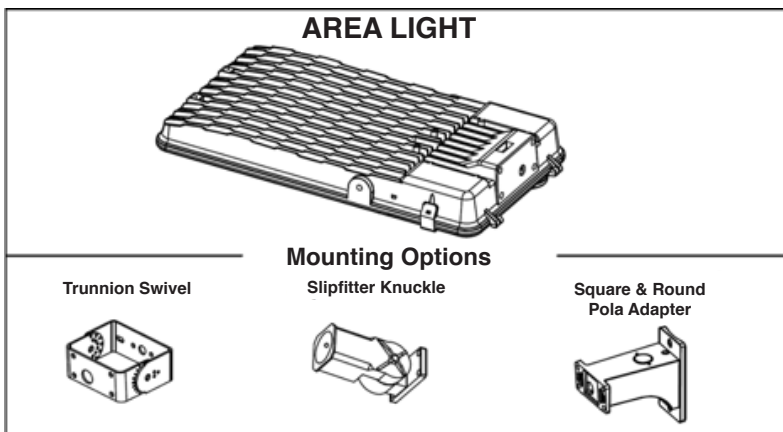
\$\$=Options; MS=Motion Sensor

Shorting Cap

\$\$=Options; MS=Motion Sensor

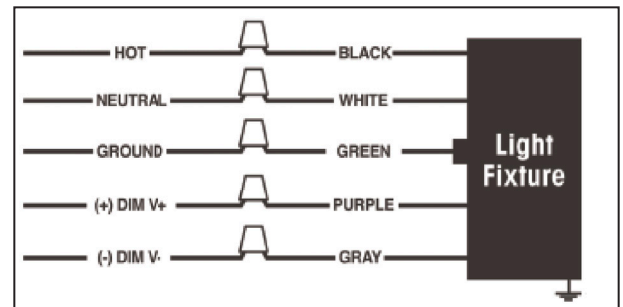
General Wiring Diagram:

CAUTION: Turn off electrical power at fuse or circuit breaker box before wiring fixture to the power supply.



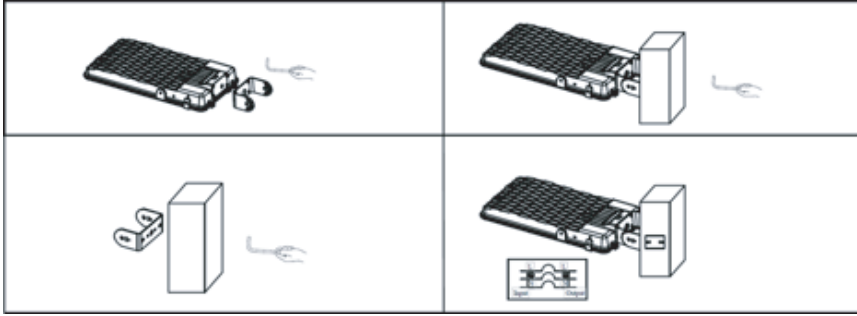
120-277V, 347-480V Wiring:

- STEP 1.** Connect the black fixture wire to the (+) LINE supply wire.
- STEP 2.** Connect the white fixture wire to the (-) COMMON supply wire.
- STEP 3.** Connect the green fixture wire to supply ground wire.



- STEP 1.** Connect the black fixture wire to the HOT LINE supply wire.
- STEP 2.** Connect the white fixture wire to the NEUTRAL supply wire.
- STEP 3.** Connect the green fixture wire to supply ground wire.
- STEP 4.** Connect the purple fixture wire to the (V+) DIM wire.
- STEP 5.** Connect the gray fixture wire to the (V-) DIM wire.

Mounting Options

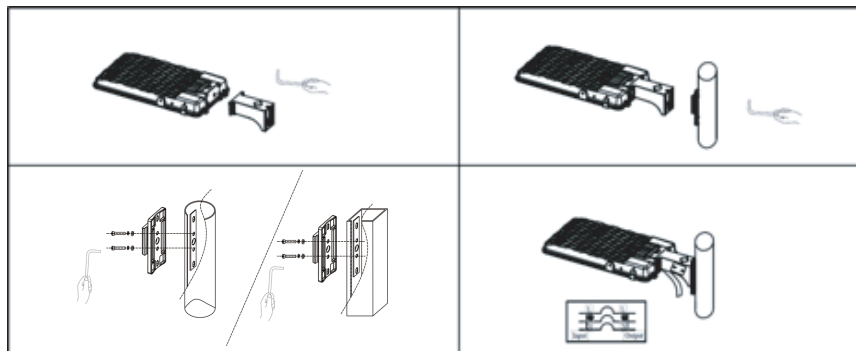
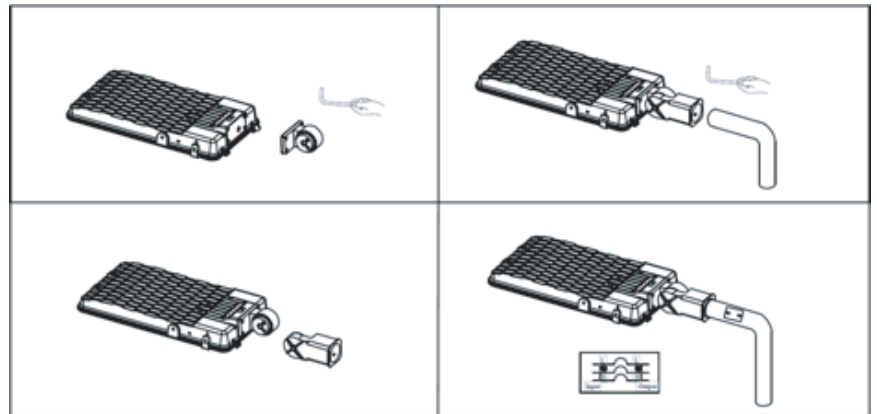


Trunnion Swivel Mount:

- STEP 1-** Secure Trunnion to Area Light by tightening (2) 5/16-18 Internal HEX Head bolts with split washers.
- STEP 2-** Adjust angle of fixture to desired position by loosening (2) pivot bolts and angle locking screws.
- STEP 3-** Swivel the fixture to desired angle.
- STEP 4 -**Tighten the Pivot Bolts and Angle Locking Screw.

Slipfitter Knuckle Mount:

- STEP 1-** Secure slipfitter to Area Light by tightening (2) 5/16-18 internal HEX head bolts with split washers and gasket.
- STEP 2-** Wire the fixture using UL listed water proof wire connectors.
- STEP 3-** Slip slipfitter onto Tenon and secure by tightening set screws with Allen key.
- STEP 4 -**Adjust slipfitter to desired angle by adjusting the pivot bolt and rotating arm.



Square & Round Pole Adapter:

This adapter is suitable for both square and round pole;
Drilling holes on the pole according to diagram 1;

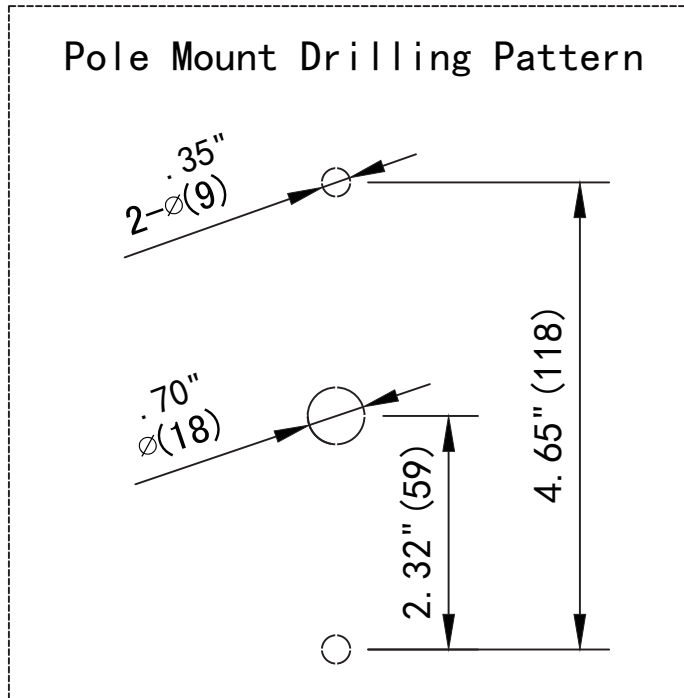
STEP 1- Attach main pole mount housing to the fixture

STEP 2- Place the mounting plate onto the pole, aligning to the drilled holes; use the provided hexagon head screw with spring washer and flat washer to install back plate to plate fastened to the pole;

STEP 3- Slide on fixture and pole mount housing then secure with two more hexagon headed screws on the outer holes of the mounting plate

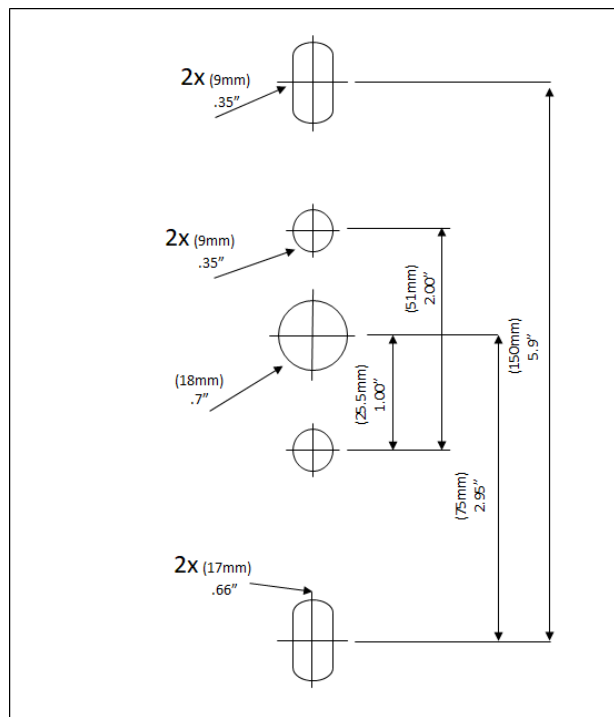
STEP 4- Open the adapter cover, correctly connect the power cord, put the connected wires inside the adapter, Finally cover the adapter cover plate and lock the screws.

Pole Mount Drill Pattern for Trunnion Swivel Mount



Pole Mount Drill Pattern for Square & Round Pole Adapter

To securely fasten, the 2 inner holes are required. The 2 outer holes may be used at the installer's discretion. 5/16" drill bit required.



Warranty Information:

This product is warranted for five years from the date of purchase. If this product does not perform to the specifications supplied on this package, send an email or write to the address below for product return and replacement. This replacement is the sole remedy available. Liability for incidental or consequential damage is expressly excluded. Visit www.halcolighting.com for full warranty details and compatibility information.